

ROKU® Round Glazing System GH

Product Description

The ROKU® glazing rings are produced without seams and combine a high-quality appearance with functional features. The glazing ring is supplied with a rubber profile that can be integrated, with bushings and screws.

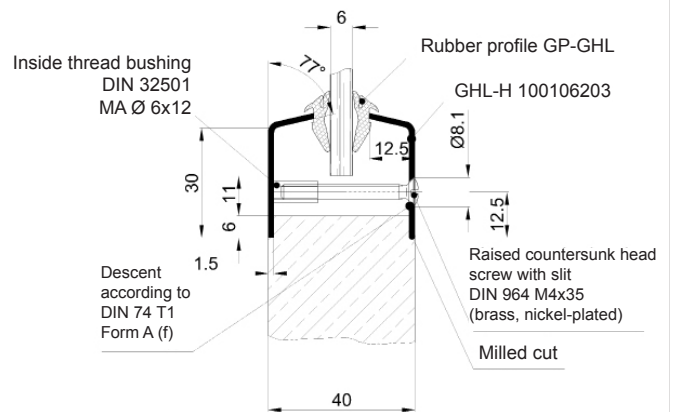
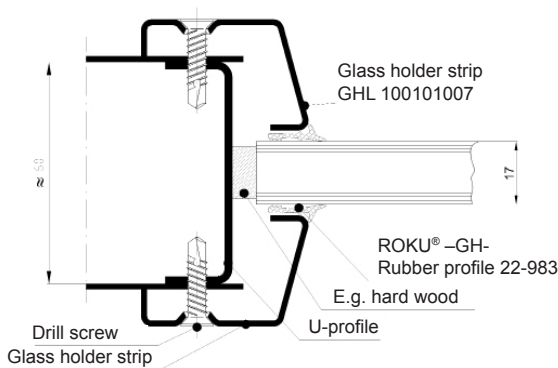
Application Areas

- Fire protection doors from wood, steel or aluminium

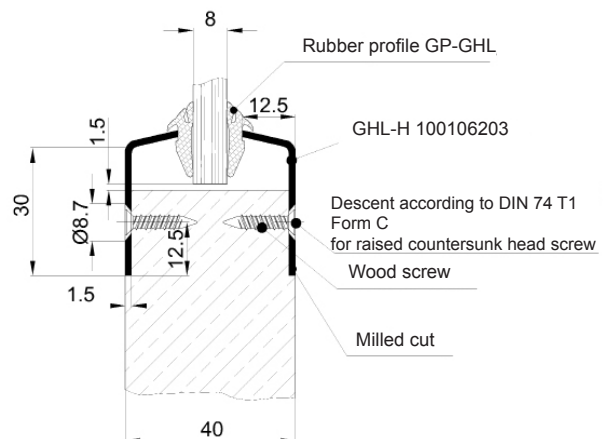
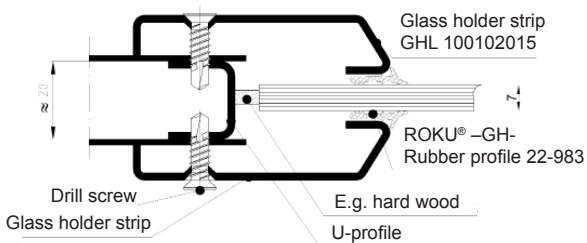


Installation Examples for Steel and Wooden doors

Installation examples: For a glass thickness of 17 mm and steel profile of 60 mm



Installation example: For a glass thickness of 7 mm and a steel profile of 20 mm



Note

The information in this brochure is based on our knowledge and experience to date. This information does not release the user from carrying out independent tests and trials due to the various influences when processing and applying our product. It is not possible to derive a guarantee of certain properties or suitability of the product in a concrete application case based on our information. All the descriptions, drawings, photographs, data, conditions, weights etc. included may change without previous announcement; they do not constitute the contractually agreed property of the product. The recipient of our product is responsible to observe any trade mark rights and existing laws and regulations. Adhesive bonds are to be applied according to DIN 2304.